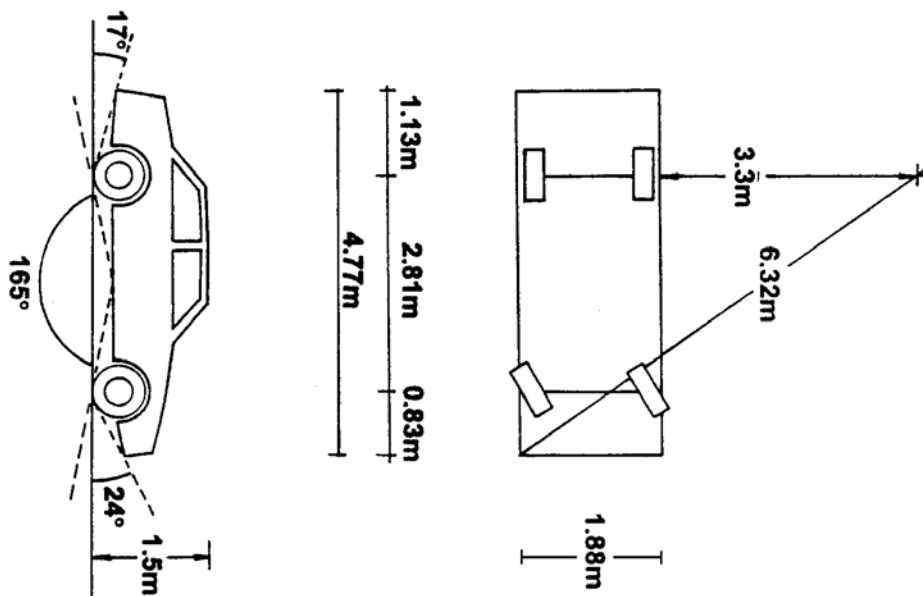
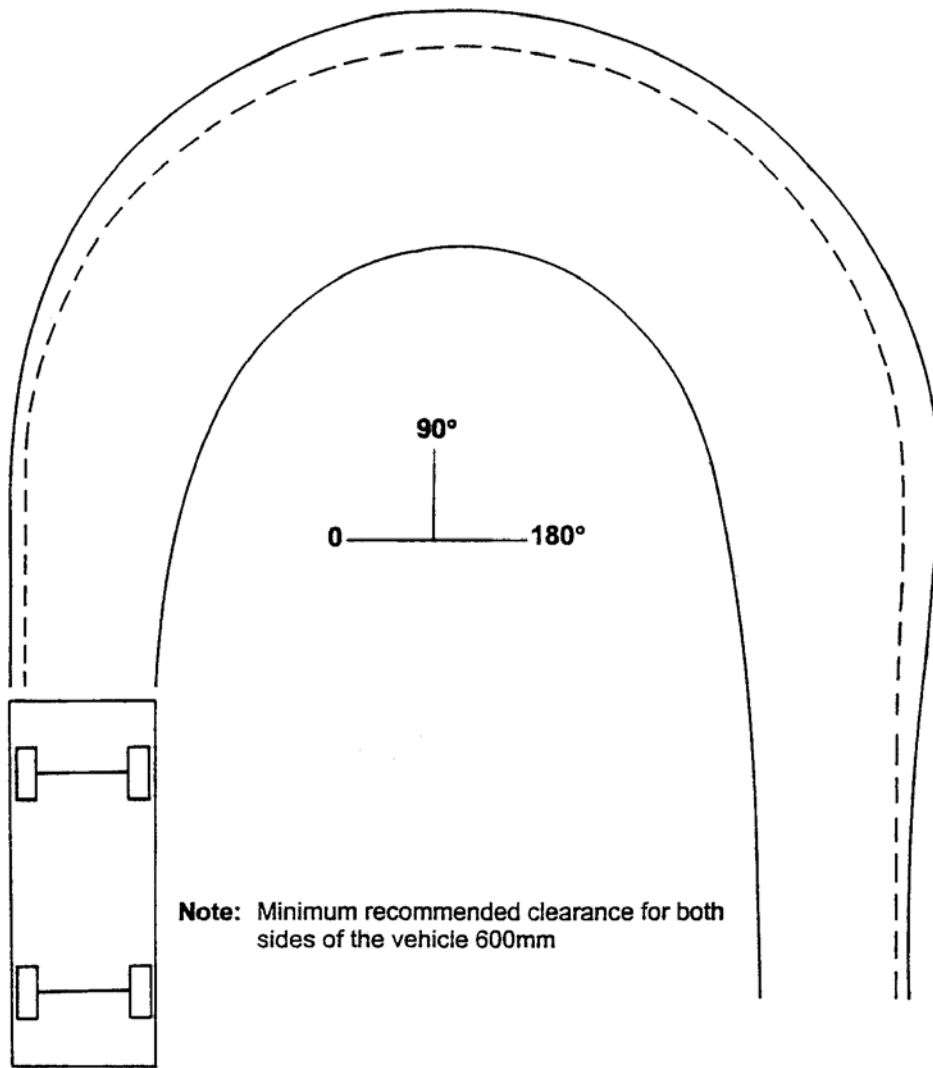
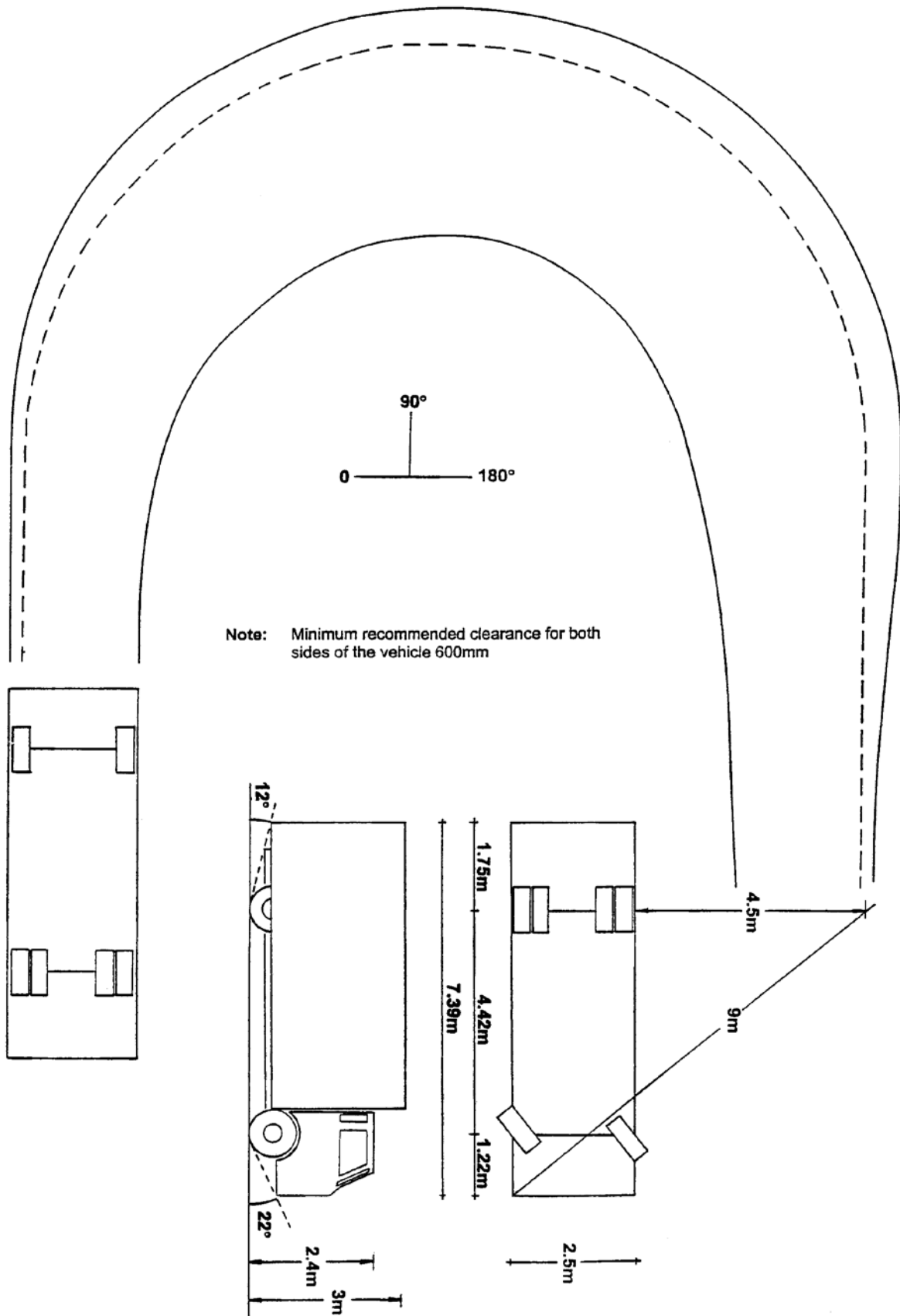


APPENDIX C – DESIGN VEHICLES



90% Design Motorcar

Scale 1:100 @ A4



Note: Minimum recommended clearance for both sides of the vehicle 600mm

Design 2 Axle Truck

Scale 1:100 @ A4

